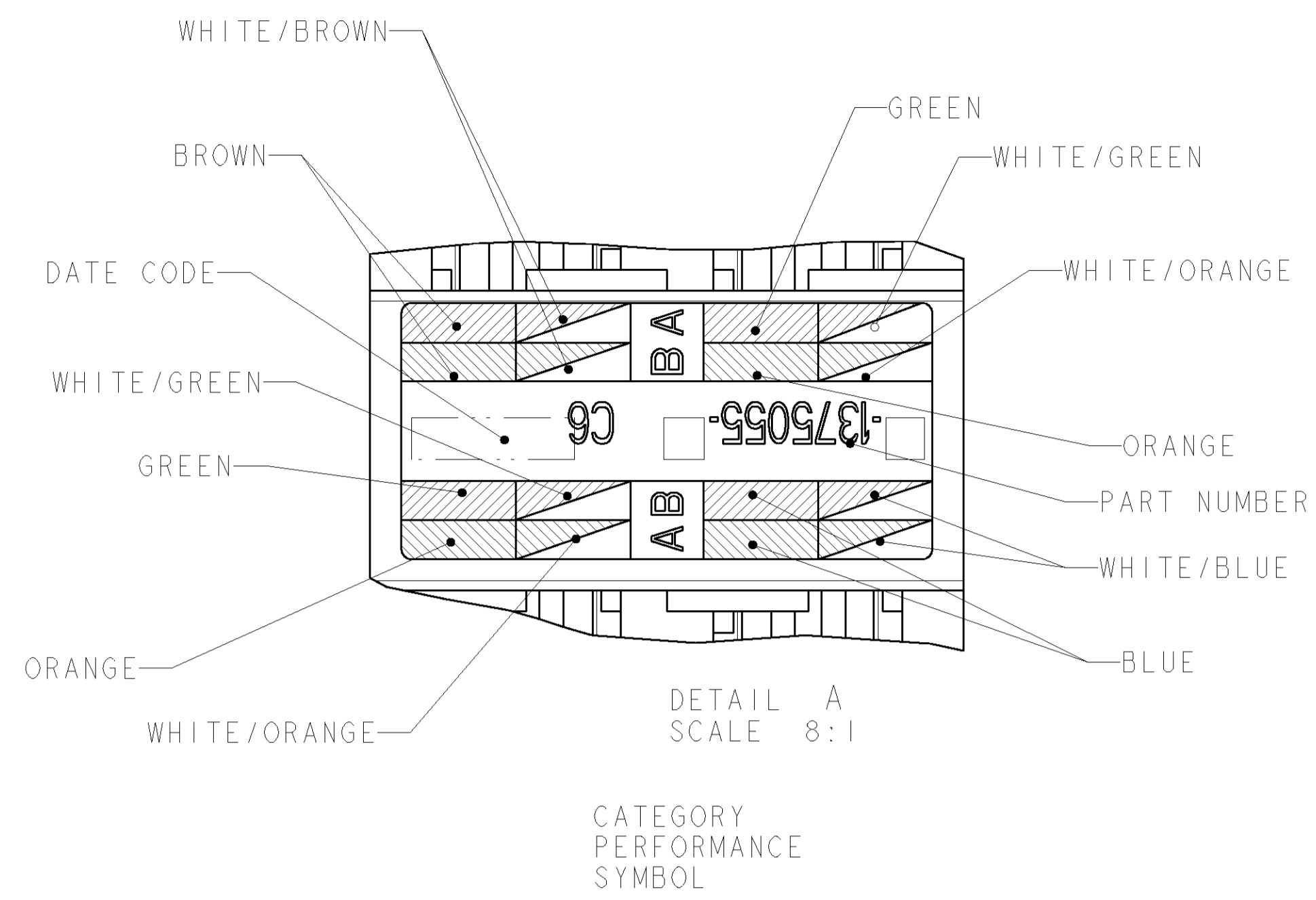
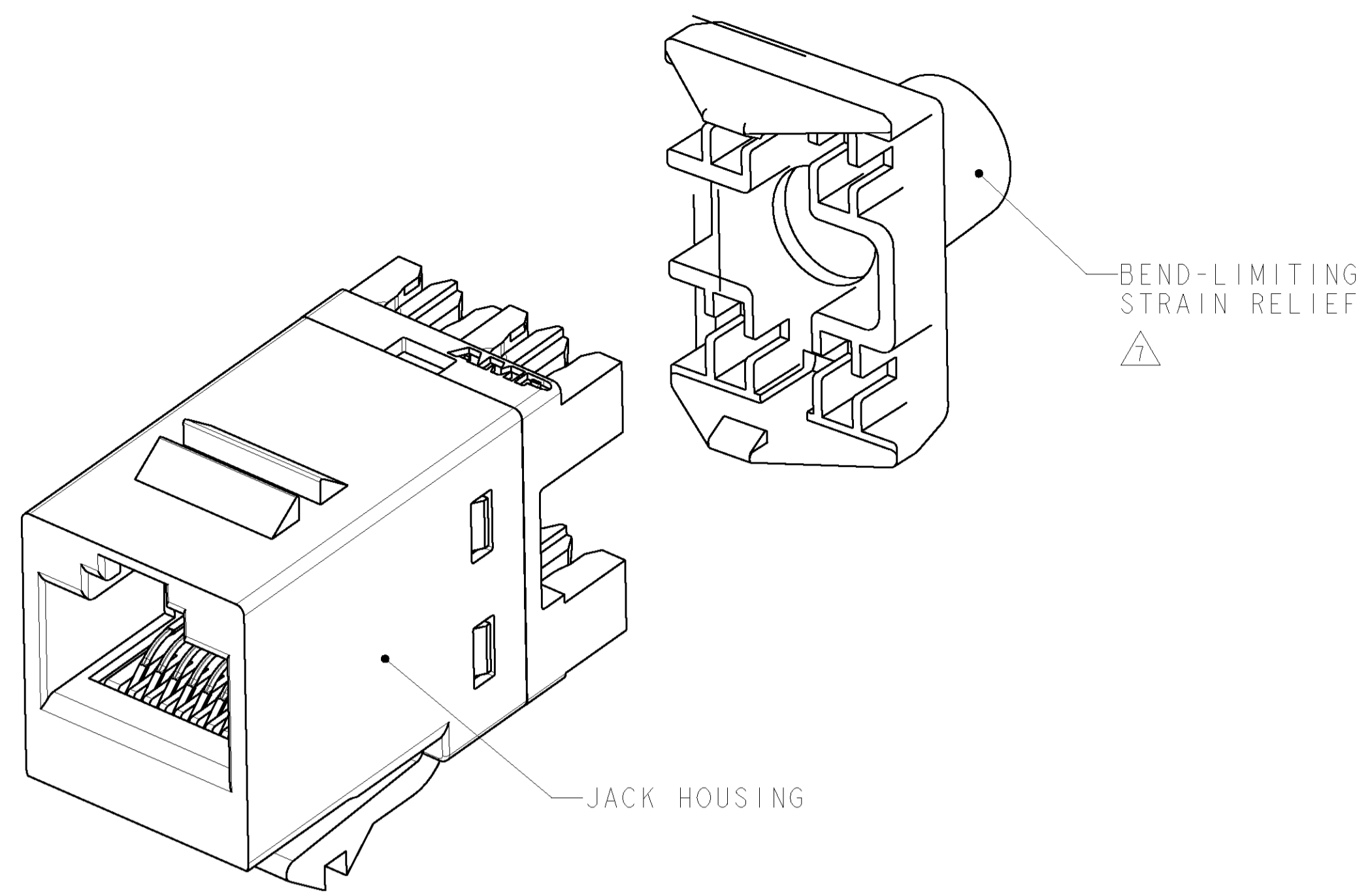
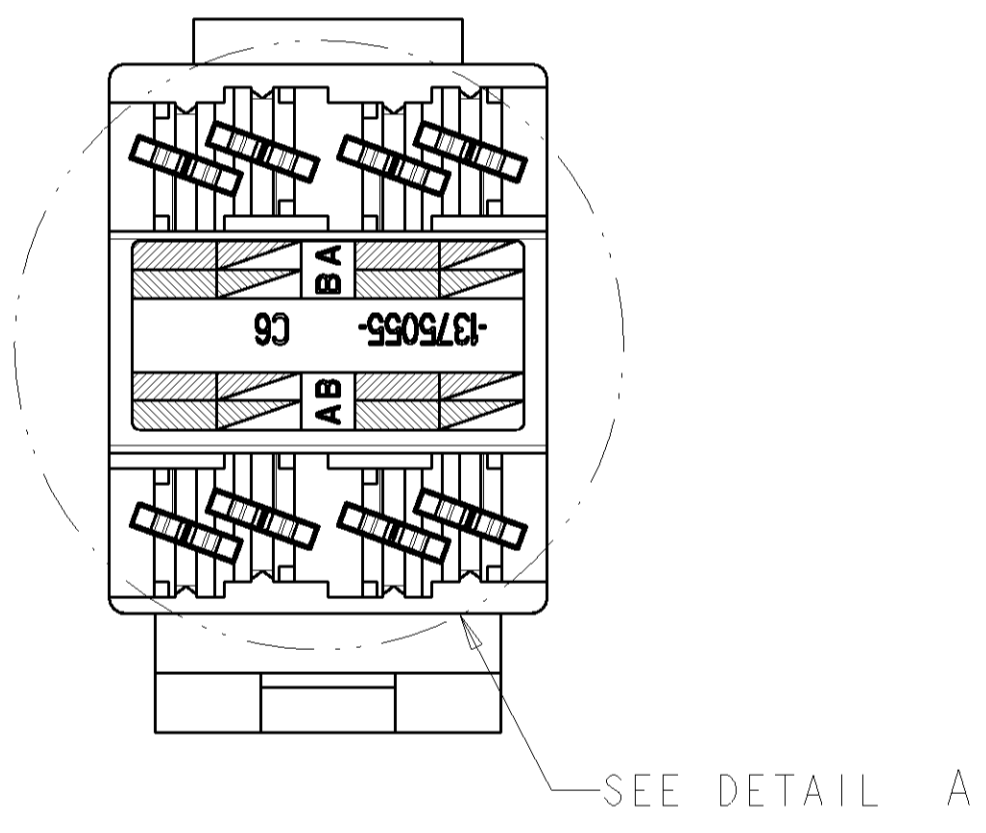
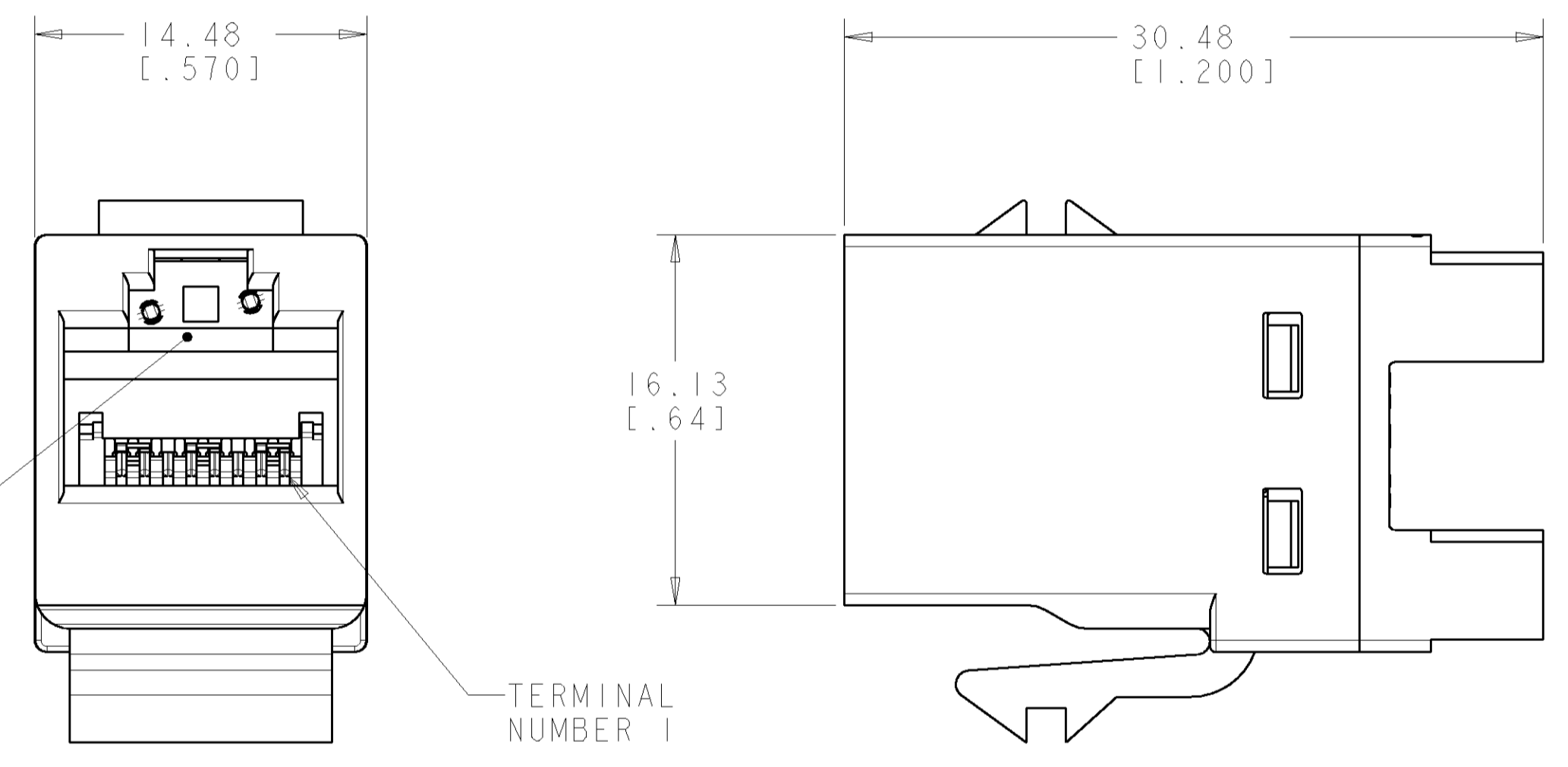


| LOC | | DISTR | | REVISIONS | | | |
|-----|----|-------|-----|---------------------|-----------|-----|------|
| HM | 00 | P | LTR | DESCRIPTION | DATE | DWN | APPR |
| | | E | | REV - ECR-04-000135 | 11OCT2004 | LS | CD |
| | | F | | ECO-06-011626 | 30MAY2006 | JM | BM |
| | | G | | REV: ECO-06-024911 | 25OCT2006 | GG | BM |
| | | H | | REV: ECO-07-015835 | 13JUL2007 | GG | SA |



1. MATERIAL: JACK HOUSING - POLYPHENYLENE OXIDE, 94V-0 RATED. 110 BLOCK AND BEND LIMITING STRAIN RELIEF - POLYCARBONATE. ARRAY TRAY - PBT POLYESTER. JACK CONTACTS ARRAY - BERYLLIUM COPPER, PLATED WITH 1.27µm [0.00050] MINIMUM THICK GOLD IN LOCALIZED AREA AND 3.81µm [0.00150] MINIMUM THICK MATTE TIN IN SOLDER AREA OVER 1.27µm [0.00050] MINIMUM THICK NICKEL UNDERPLATE. IDC TERMINALS - PHOSPHOROUS BRONZE, PLATED WITH 3.81µm [0.0015] MINIMUM THICK MATTE TIN OVER 1.27µm [0.0005] MINIMUM THICK NICKEL UNDERPLATE.
2. SL 110 JACK WILL TERMINATE 22-24 AWG SOLID AND 24-26 AWG STRANDED CONDUCTORS, 1.27[.050] MAXIMUM INSULATION DIAMETER. JACK WILL ACCEPT CONDUCTORS UP TO 1.45 [.057] BUT REQUIRE THE USE OF A STRAIN RELIEF.
3. CAVITY CONFORMS TO FCC RULES AND REGULATIONS) PART 68 SUBPART F REQUIREMENTS.
4. MOUNTING PANEL THICKNESS 1.47 - 1.60 [.058 - .063].
5. THESE TWO SUGGESTED CUTOUT OPENINGS ARE USED IN TANDEM WITH DUAL FRONT AND BACK CUTOUTS.
6. ONE MODULAR JACK ASSEMBLY PER POLYBAG.
7. USE IS OPTIONAL.
8. TWENTY FIVE MODULAR JACKS PER POLYBAG.
9. REFER TO 408-8858 FOR TERMINATION INSTRUCTIONS USING SL SERIES TOOL TERMINATION. REFER TO 408-8417 FOR TERMINATION INSTRUCTIONS USING 110 PUNCH DOWN TOOL.

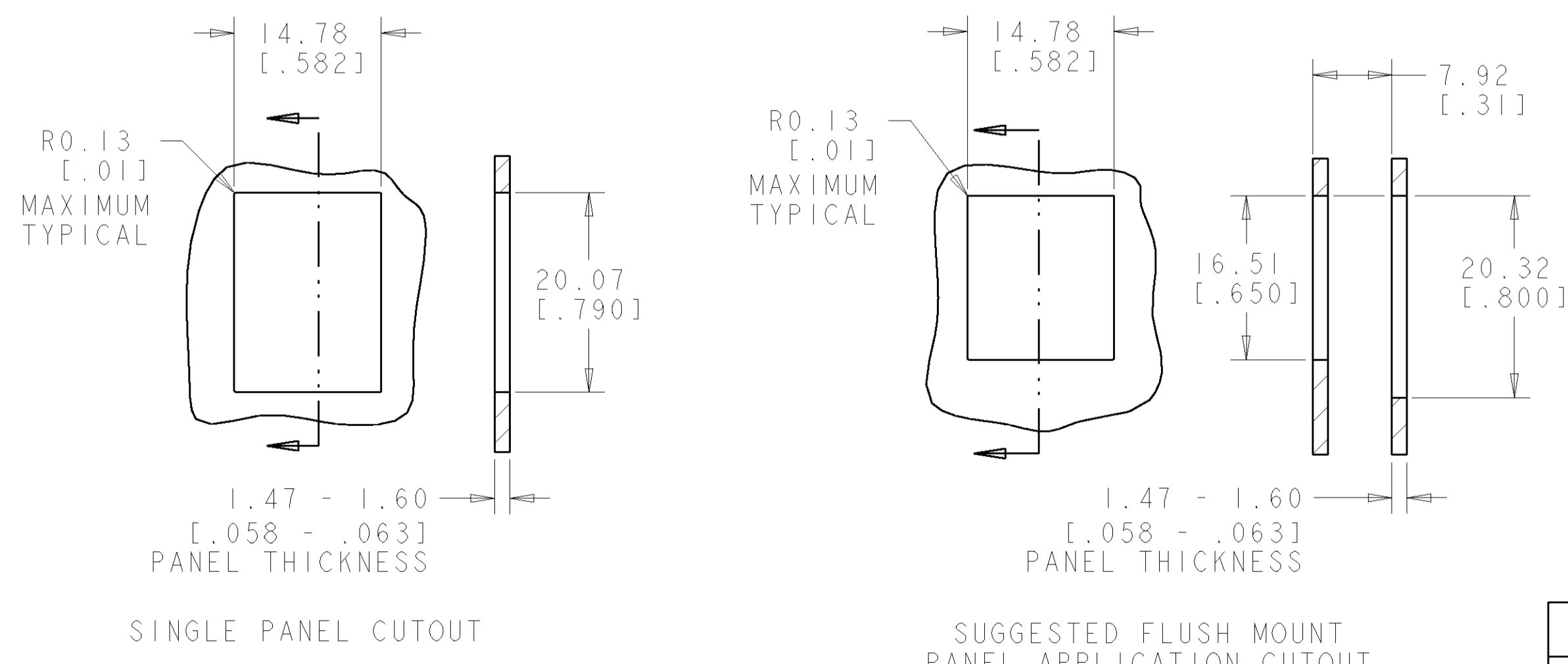


| COLOR CODE | IDC TERMINAL | MODULAR JACK | |
|--------------|--------------|--------------|---|
| WHITE/BLUE | | | 5 |
| BLUE | | | 4 |
| WHITE/ORANGE | | | 3 |
| ORANGE | | | 6 |
| WHITE/GREEN | | | 1 |
| GREEN | | | 2 |
| WHITE/BROWN | | | 7 |
| BROWN | | | 8 |

ELECTRICAL SCHEMATIC T568A

| COLOR CODE | IDC TERMINAL | MODULAR JACK | |
|--------------|--------------|--------------|---|
| WHITE/BLUE | | | 5 |
| BLUE | | | 4 |
| WHITE/ORANGE | | | 1 |
| ORANGE | | | 2 |
| WHITE/GREEN | | | 3 |
| GREEN | | | 6 |
| WHITE/BROWN | | | 7 |
| BROWN | | | 8 |

ELECTRICAL SCHEMATIC T568B



| PACKAGE | HOUSING COLOR | PART NUMBER |
|---------|----------------|-------------|
| | ELECTRIC IVORY | 3-1375055-1 |
| | VIOLET | 3-1375055-0 |
| | GREEN | 2-1375055-9 |
| | YELLOW | 2-1375055-8 |
| | RED | 2-1375055-7 |
| | BLUE | 2-1375055-6 |
| | ORANGE | 2-1375055-5 |
| | NEMA GRAY | 2-1375055-4 |
| | WHITE | 2-1375055-3 |
| | BLACK | 2-1375055-2 |
| | LIGHT ALMOND | 2-1375055-1 |
| | ELECTRIC IVORY | 1-1375055-1 |
| | VIOLET | 1-1375055-0 |
| | GREEN | 1375055-9 |
| | YELLOW | 1375055-8 |
| | RED | 1375055-7 |
| | BLUE | 1375055-6 |
| | ORANGE | 1375055-5 |
| | NEMA GRAY | 1375055-4 |
| | WHITE | 1375055-3 |
| | BLACK | 1375055-2 |
| | LIGHT ALMOND | 1375055-1 |

| | | | |
|--|---|---|---|
| <small>THE INFORMATION CONTAINED HEREIN IS UNCLASSIFIED EXCEPT WHERE SHOWN OTHERWISE. IT IS THE POLICY OF TYCO ELECTRONICS CORPORATION TO RELEASE THIS INFORMATION UNLESS INDICATED OTHERWISE BY CONTRACT OR BY THE EXPORT CONTROL OFFICE.</small> | | DWN T. PITTS 18OCT2001 ENR L. SMITH 13MAR2001 APVD B. TRIPPE 13MAR2001 | tyco Electronics Tyco Electronics Harrisburg, PA 17105-3608 |
| DIMENSIONS: MM [Inches] | TOLERANCES UNLESS OTHERWISE SPECIFIED: 0 PLC ± 1 PLC ± 2 PLC ± 3 PLC ± 4 PLC ± ANGLES ± | NAME ASSEMBLY, SL 110 JACK, CAT 6 PRODUCT SPEC 108-1990 APPLICATION SPEC 108-1990-3 WEIGHT - CUSTOMER DRAWING | SIZE A1 CAGE CODE 00779 DRAWING NO. C=1375055 SCALE 6:1 SHEET 1 OF 1 REV H |